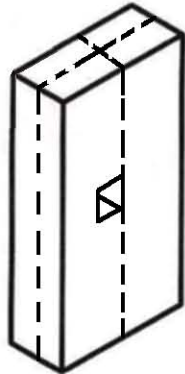
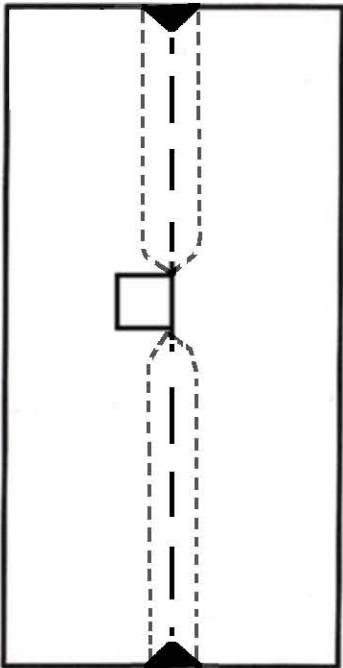
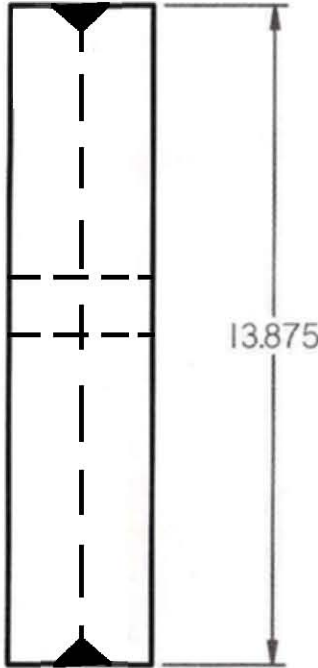
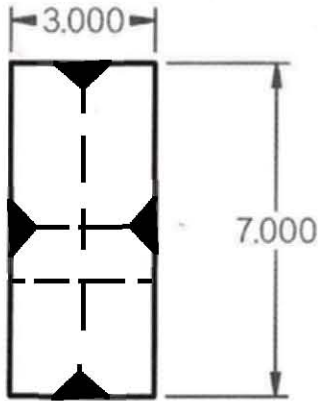


Drawing Number:  
**A1**

Drawn By: **Paul Krzyszkowski**  
Material:  
Mild Steel, SAE 4140, E6011, E7018

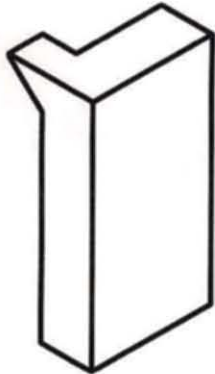
UNLESS OTHERWISE SPECIFIED  
DIMENSIONS ARE IN INCHES  
ANGLES ±XX°  
2 PL ±XXX 3 PL ±X.XXX

TITLE:  
Date: **March 20, 2014**  
SCALE: TRUE



*anvilfire.com!*

AS BUILT  
81 POUNDS



PRELIMINARY

Drawing Number:

**A4-R**

Drawn By: **Paul Krzyszkowski**

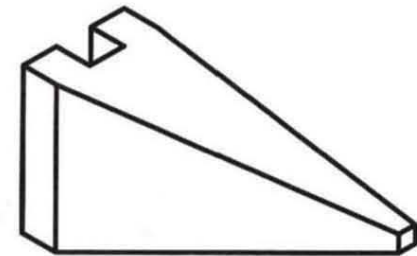
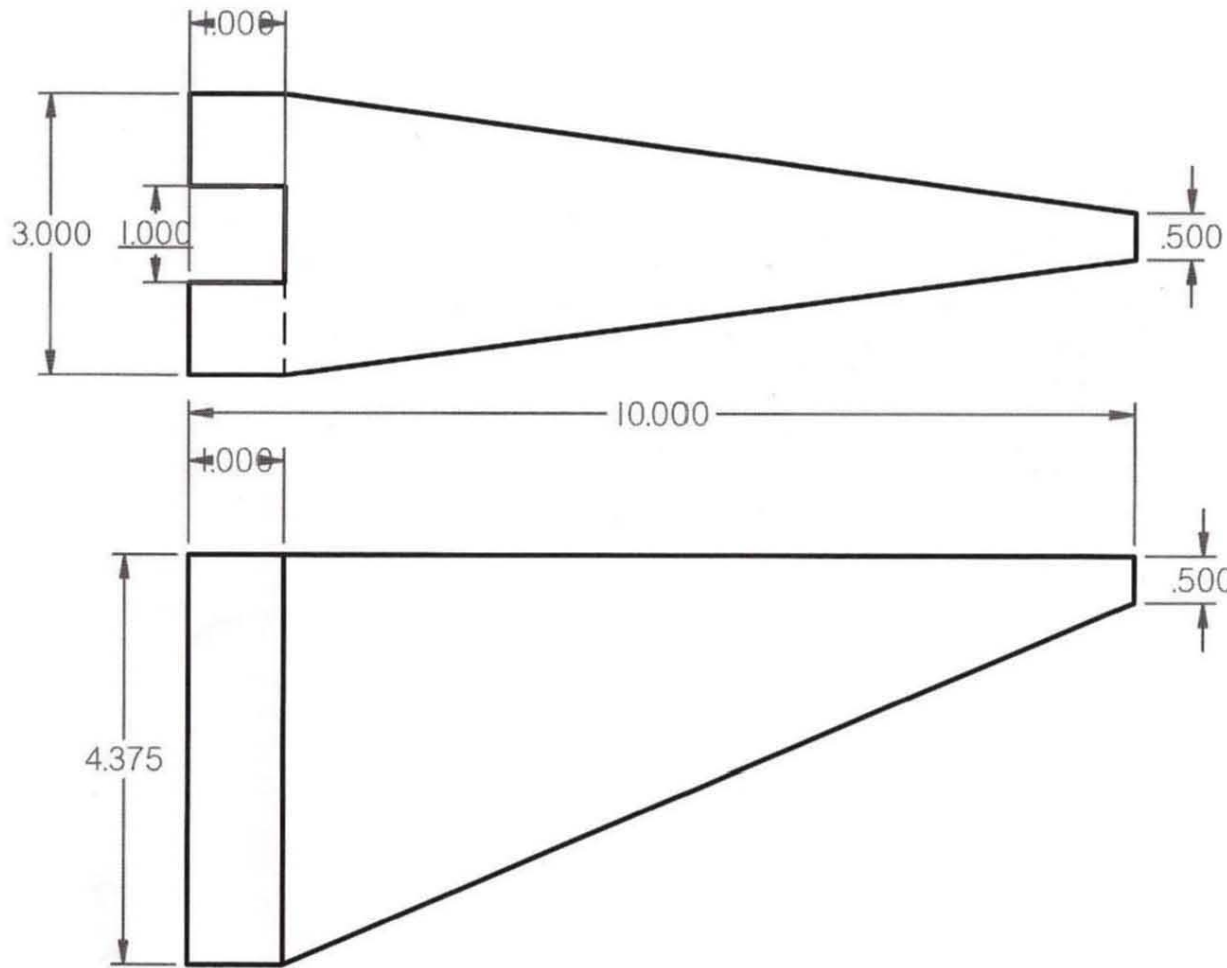
Material:  
Mild Steel, E6011, E7018

UNLESS OTHERWISE SPECIFIED  
DIMENSIONS ARE IN INCHES  
ANGLES ±XX°  
2 PL ±XXX 3 PL ±X.XXX

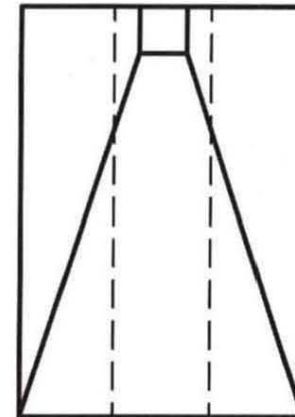
TITLE: ANVIL BODY REVISED

Date: March 20, 2014

SCALE: TRUE



*anvilfire.com!*



Drawing Number:

**A2**

Drawn By: **Paul Krzyszkowski**

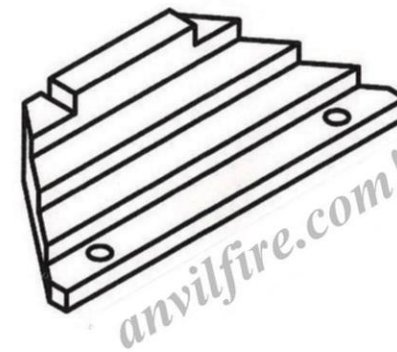
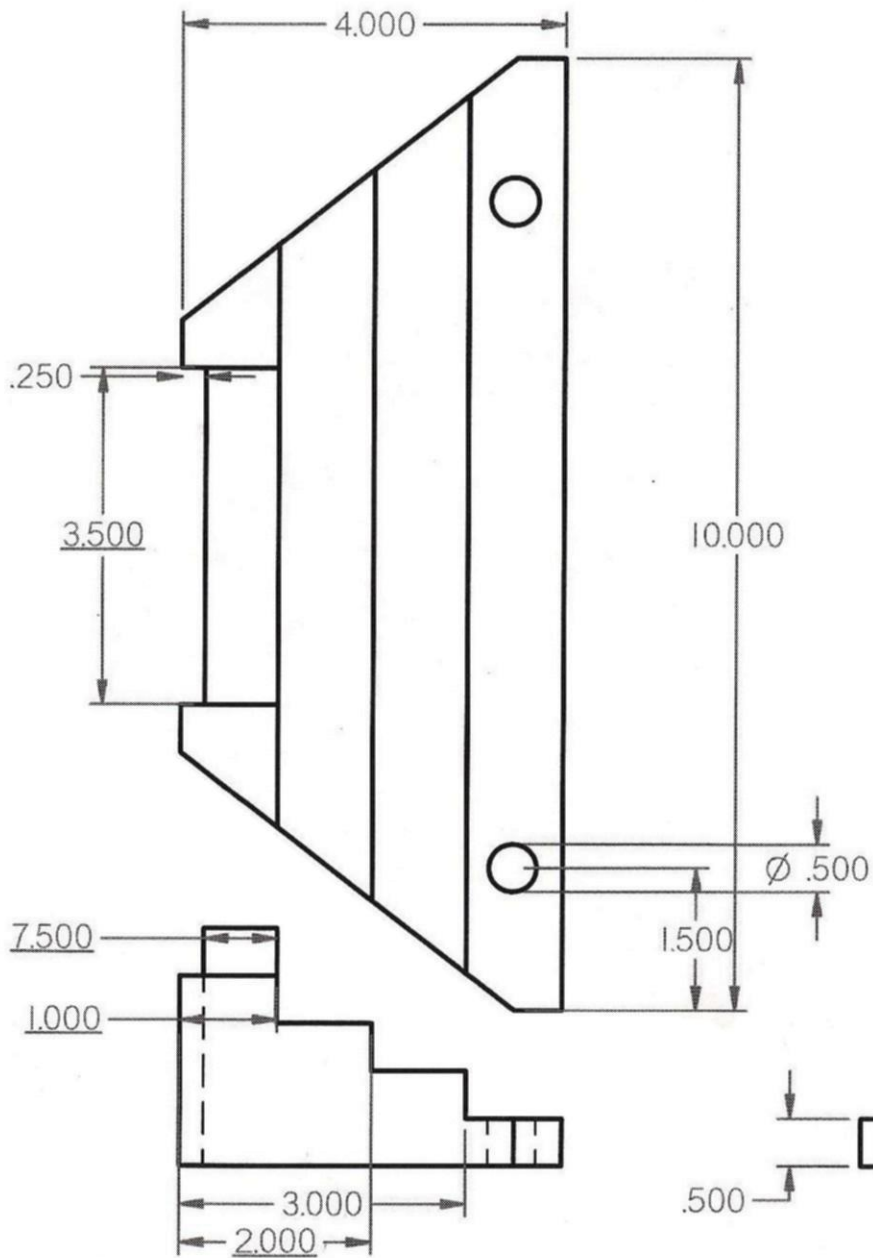
Material: **Mild Steel**

UNLESS OTHERWISE SPECIFIED  
 DIMENSIONS ARE IN INCHES  
 ANGLES ±XX°  
 2 PL ±XXX 3 PL ±X.XXX

TITLE: **ANVIL SQUARE HORN**

Date: **March 20, 2014**

SCALE: **TRUE**



Drawing Number:

**A3-r**

Drawn By: **Paul Krzyszkowski**

Material: **Mild Steel**

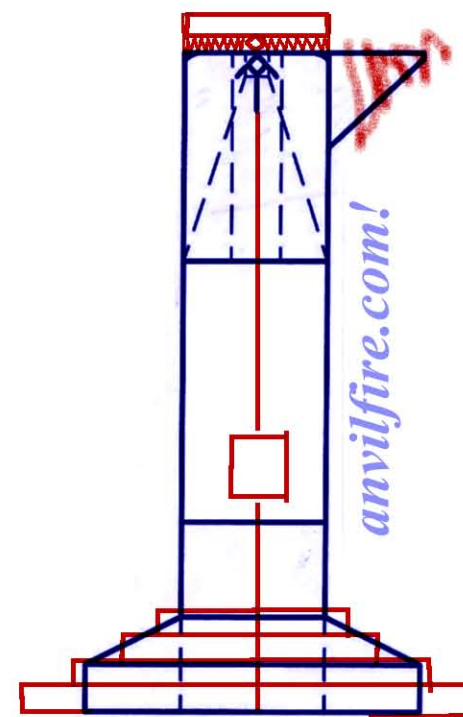
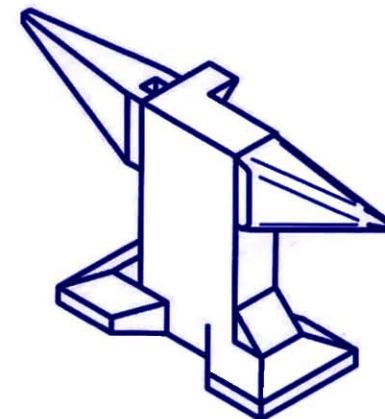
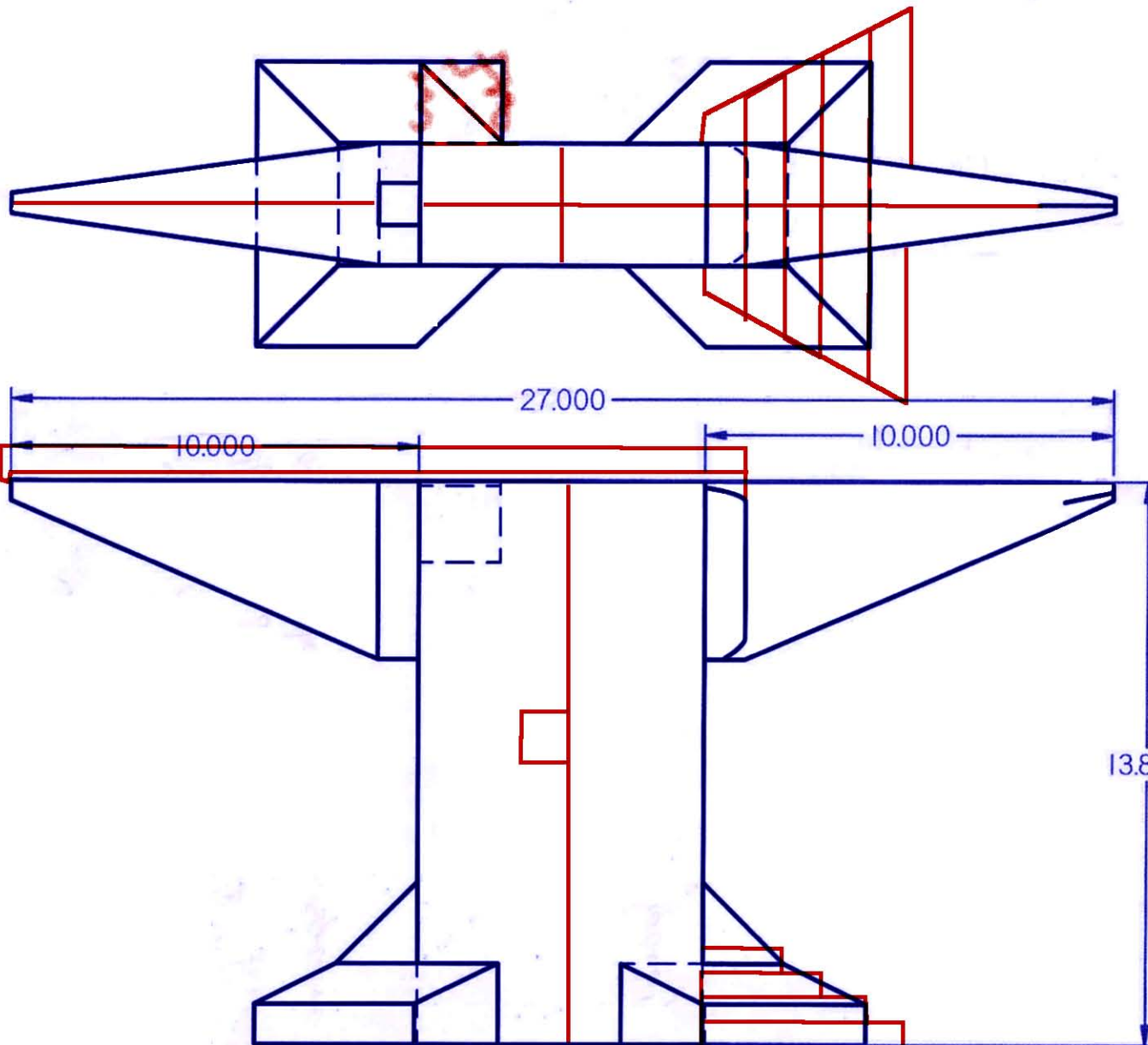
UNLESS OTHERWISE SPECIFIED  
 DIMENSIONS ARE IN INCHES  
 ANGLES  $\pm XX^\circ$   
 2 PL  $\pm XXX$  3 PL  $\pm XXXX$

TITLE: **ANVIL FEET REVISED**

Date: **APRIL 14, 2014**

SCALE: **TRUE**





Drawing Number:

**A1**  
**AS BUILT**

Drawn By: Paul Krzyszkowski

Material:  
Mild Steel, SAE 4140, E6011, E7018

UNLESS OTHERWISE SPECIFIED  
DIMENSIONS ARE IN INCHES  
ANGLES ±XX°  
2 PL ±XXX 3 PL ±XXXX

TITLE: Anvil Final Assembly

Date: March 20, 2014

SCALE: TRUE